

Hiway Interface Module

The Model 4509 Hiway Interface Module (HIM) acts as an interface between a Tricon controller and a Honeywell TDC-3000 control system by means of the Hiway Gateway and Local Control Network (LCN). The HIM can also interface with Honeywell's older TDC 2000 control system by means of the Data Hiway.

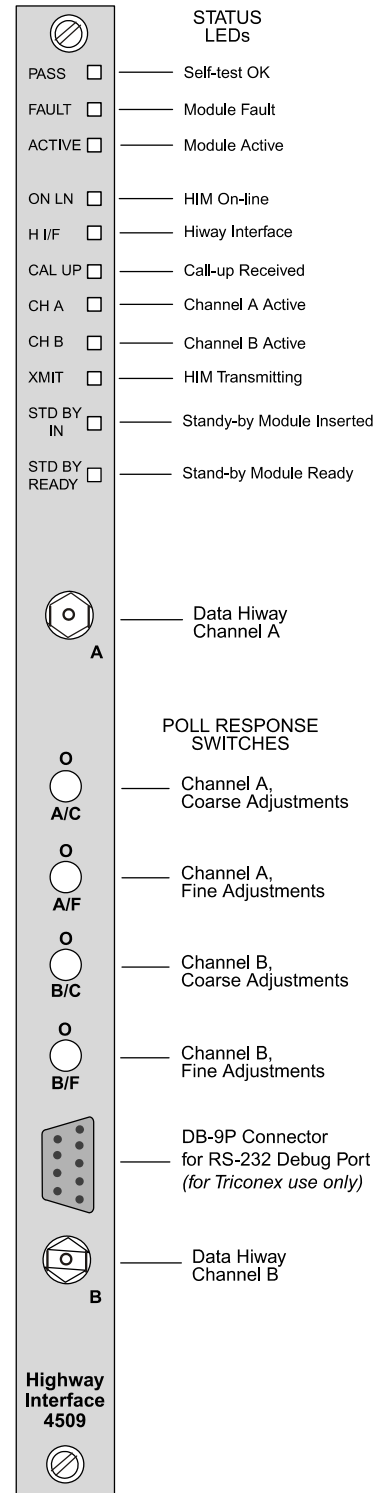
The HIM enables higher-order devices on the LCN or Data Hiway, such as computers and operator workstations, to communicate with the Tricon.

The HIM allows redundant BNC connections directly to the Data Hiway and has the same functional capacity as four extended Data Hiway Port (DHP) addresses.

The HIM provides eight Hiway addresses, implements the same slot structure as the DHP, and typically refreshes all data in less than 0.5 seconds. The hot-spare capability allows online replacement of a faulty module.

HIM Specifications

Model Number	4509
Data Hiway channels	2 isolated (AC coupled)
Poll response switches	2 per channel
Baud rate	250 kilobits per second
Status indicators	PASS (Module Status) FAULT (Module Status) ACTIVE (Module Status) ON LN (HIM Online) H I/F (Hiway Interface) CAL UP (Call-up Received) CH A (Channel A Active) CH B (Channel B Active) XMIT (HIM Transmitting) STD BY IN (Standby Module Inserted) STD BY READY (Standby Module Ready)
Power Module load	< 10 watts
Isolation	500 VDC



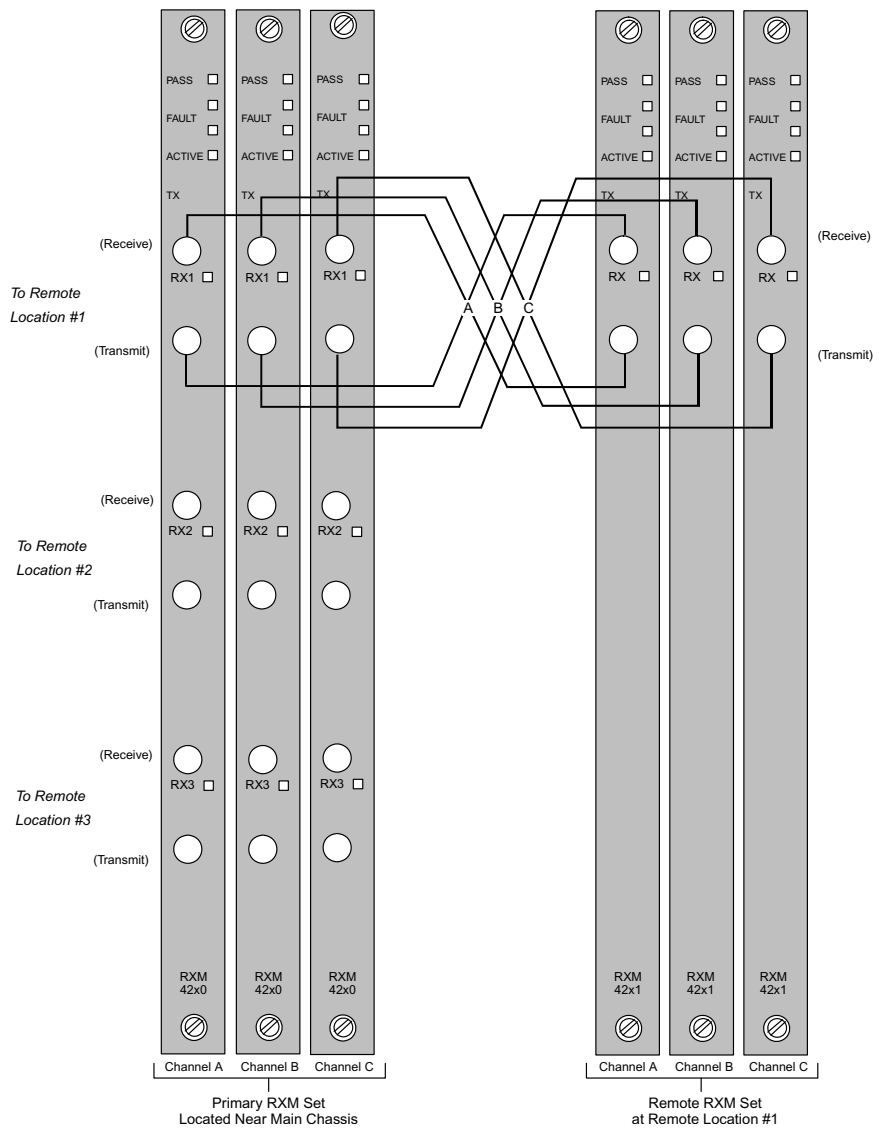
Product Specifications

Remote Extender Module (RXM)

RXMs and chassis allow I/O modules to be located several kilometers from the Main Chassis. RXM sets, consisting of three identical modules, serve as repeaters and extenders of the Tricon I/O bus and provide ground loop isolation. A primary RXM set supports three remote locations by connecting to three remote RXM sets housed in a remote chassis. See “System Configuration” on page 11 regarding configurations that use RXMs.

RXM sets are available for fiber-optic cables with a communication rate of 375 kilobits per second. These sets provide maximum immunity against electro-static and electro-magnetic interference, and support configurations with optical modems and fiber-optic point-to-point cabling. Remote sites can be located as far as 7.5 miles (12 kilometers) from the primary site.

The figure at right shows uni-directional cabling for three channels of a remote location. For each channel, one cable carries data transmitted from the primary RXM to the remote RXM, and the other cable carries data received by the primary RXM from the remote RXM. A pair of modules must be wired for each of the three channels, amounting to a total of six cables for each remote location.



Sample Wiring for One Remote Location

NOTE: The selection and installation of fiber-optic cabling requires specialized knowledge, training and tools. Triconex recommends hiring a fiber-optic specialist to handle these tasks.

RXM Specifications

RXM Model	4200-3	4201-3	4210-3	4211-3
RXM Chassis Location	Primary	Remote	Primary	Remote
Cable Type	Multi-mode	Multi-mode	Single-mode	Single-mode
Cable Length Limit	1.2 miles (2 kilometers)	1.2 miles (2 kilometers)	7.5 miles (12 kilometers)	7.5 miles (12 kilometers)
Connectors	6/remote site	6	6/remote site	6
Remote Sites Supported	3	n/a	3	n/a
Modem Ports	Fiber Optic with ST connectors	Fiber Optic with ST connectors	Fiber Optic with ST connectors	Fiber Optic with ST connectors
Diagnostic Indicators	PASS, FAIL, ACTIVE, TX, RX1, RX2, RX3	PASS, FAIL, ACTIVE, TX, RX1, RX2, RX3	PASS, FAIL, ACTIVE, TX, RX1, RX2, RX3	PASS, FAIL, ACTIVE, TX, RX1, RX2, RX3