

17 Control modules

17.1 Application of control modules

- Activation of fire control installations (shutting-down ventilation, closing fire dampers etc.)
- Activation and monitoring of alarm device
- Activation and monitoring of remote transmission equipment
- Activation of Mimic Display panels

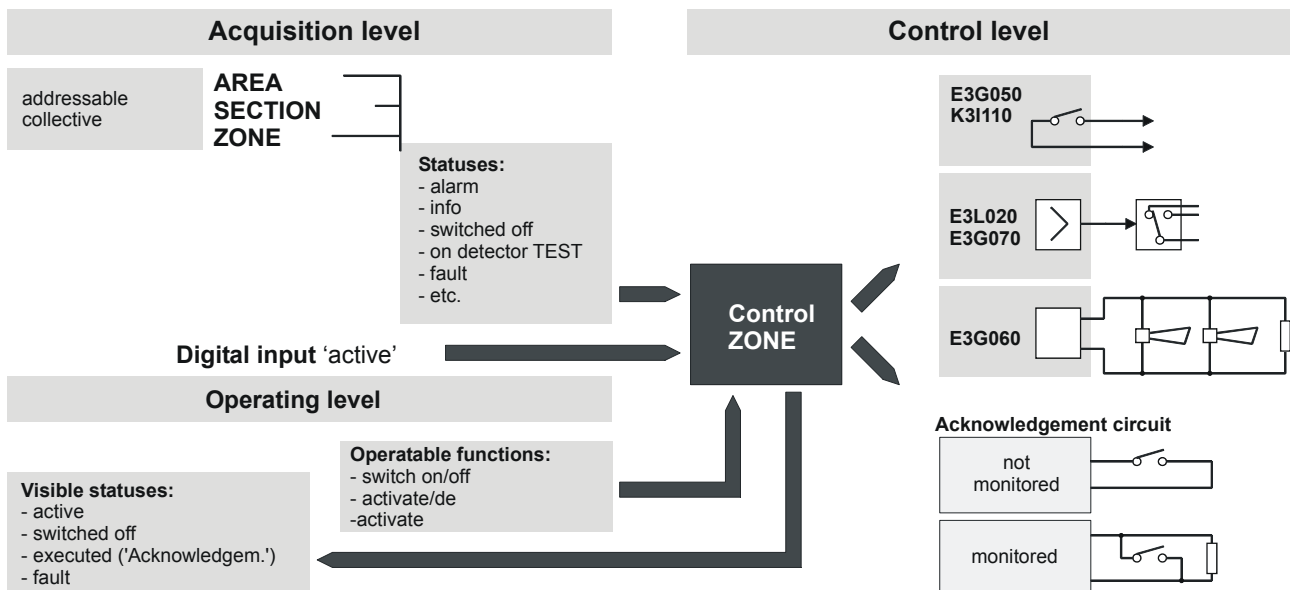
17.1.1 Overview of the available modules with control outputs

Modules	Monitored control lines For alarm devices	Driver outputs Programmable	Contact outputs (Volt free) Programmable	Remote transmission interface To remote transmission equipment
E3G070	2	7 1) 2)		✓
E3L020		16 1)		
E3G050			8	
E3G060	6 5)			
K3R072		48 3)		
K3G060			24 NO contact 4)	
K3I110			16 NO contact 5)6)	

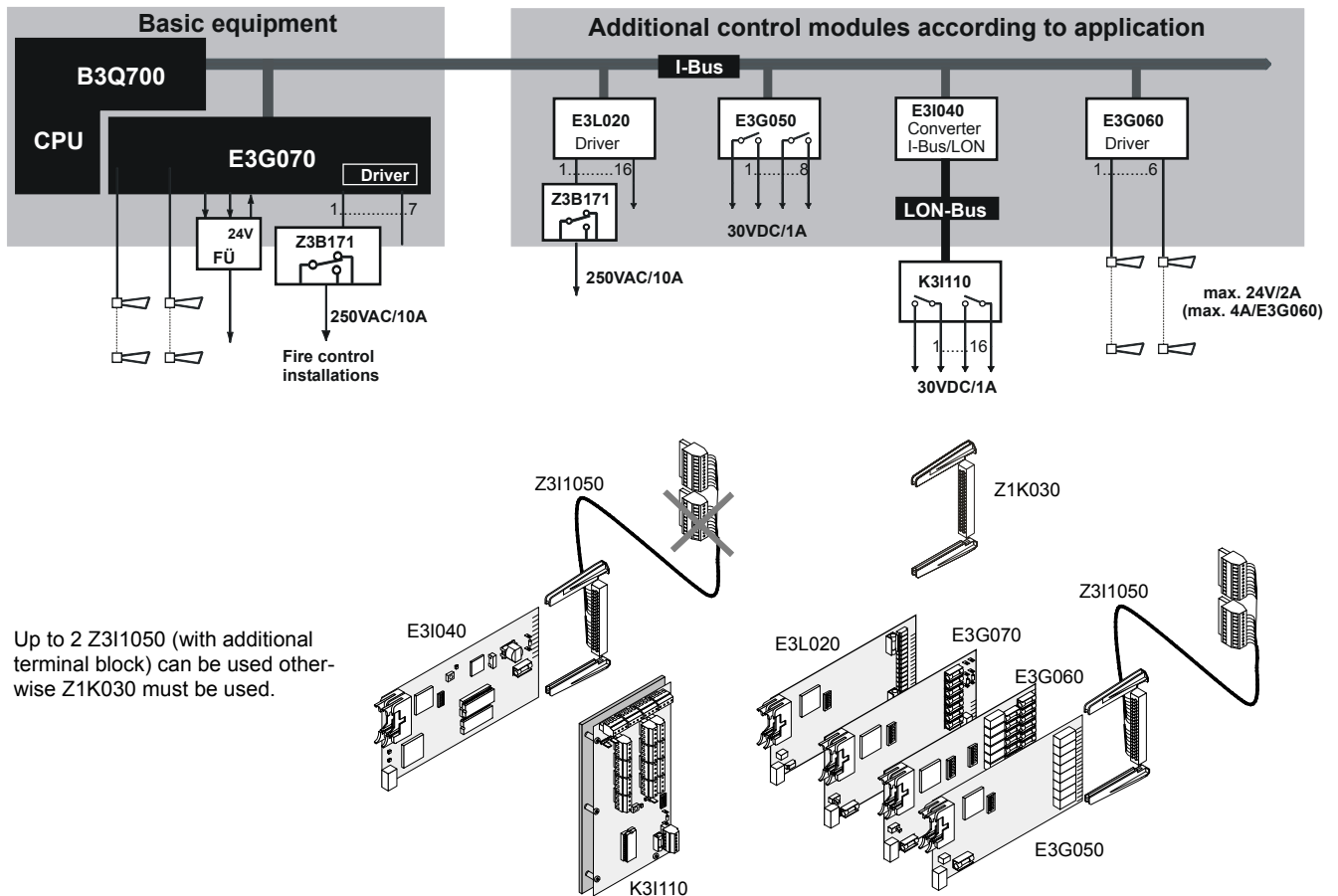
- 1 Can also be used as control inputs (e.g. 'acknowledgement')
- 2 These inputs/outputs also serve for the activation of the remote transmission equipment
- 3 For activation of Mimic Display panel, connected to the operating terminal B3Q700 or K3I050 (no I-Bus module) -> Details see chapter 17.7
- 4 Applicable only with K3R072 -> Details see chapter 17.9
- 5 Programmable
- 6 LON-Bus module -> Details see chapter 18.5

17.2 Means of linking

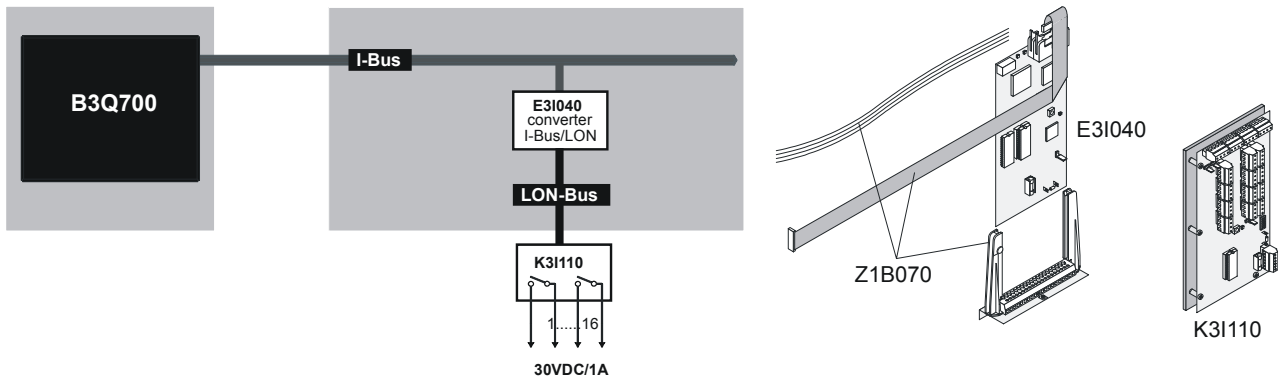
- Any statuses of entry nodes can be linked to control ZONES
- Normally, only 1 control ELEMENT is contained in 1 control ZONE (= control output)
- A user text is allocated to each control ZONE



17.3 Control outputs station type FC700A



17.4 Control outputs remote station type FT700A

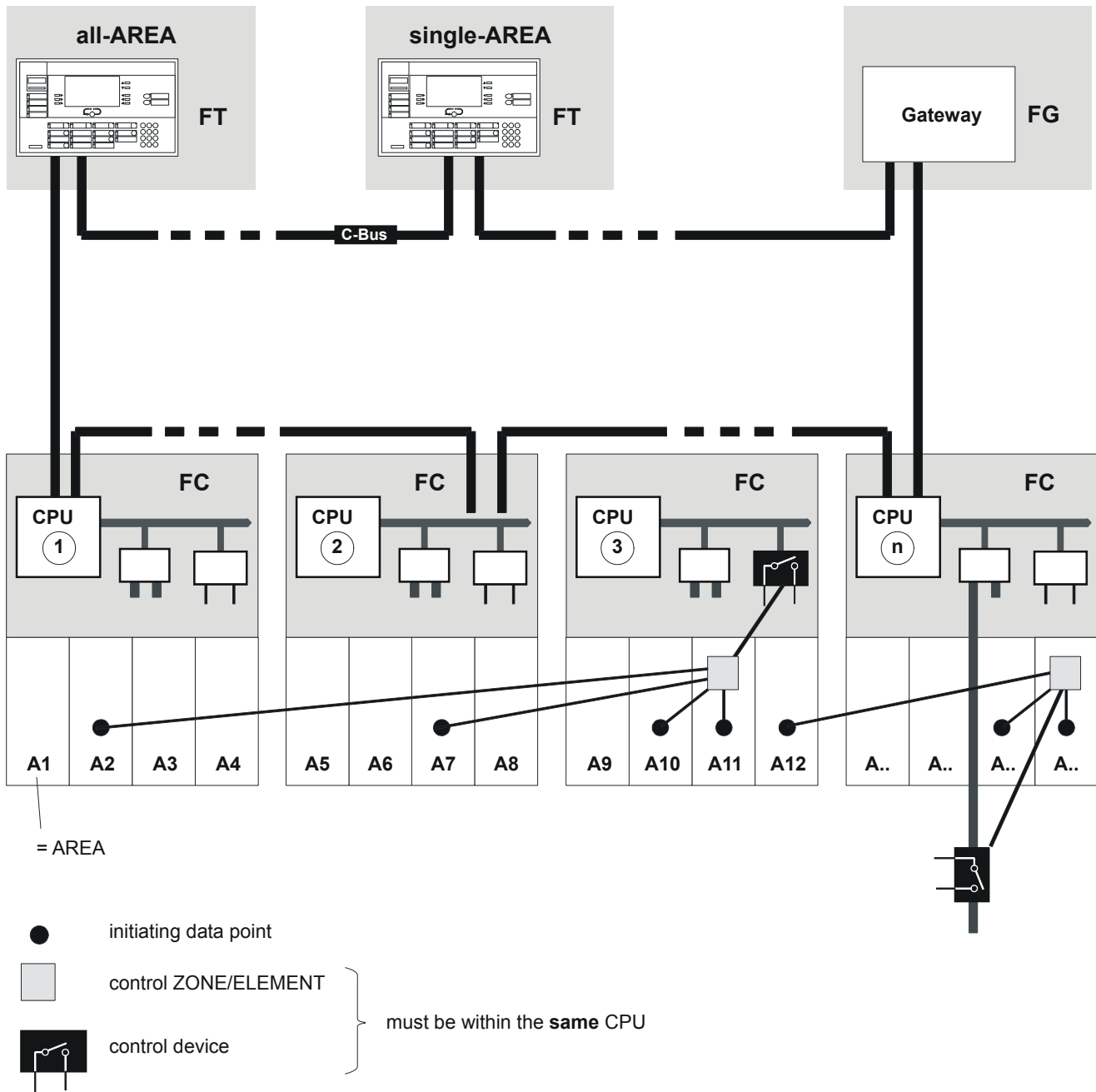


→ Details mounting E3I040 see document 007827

17.5 Modules

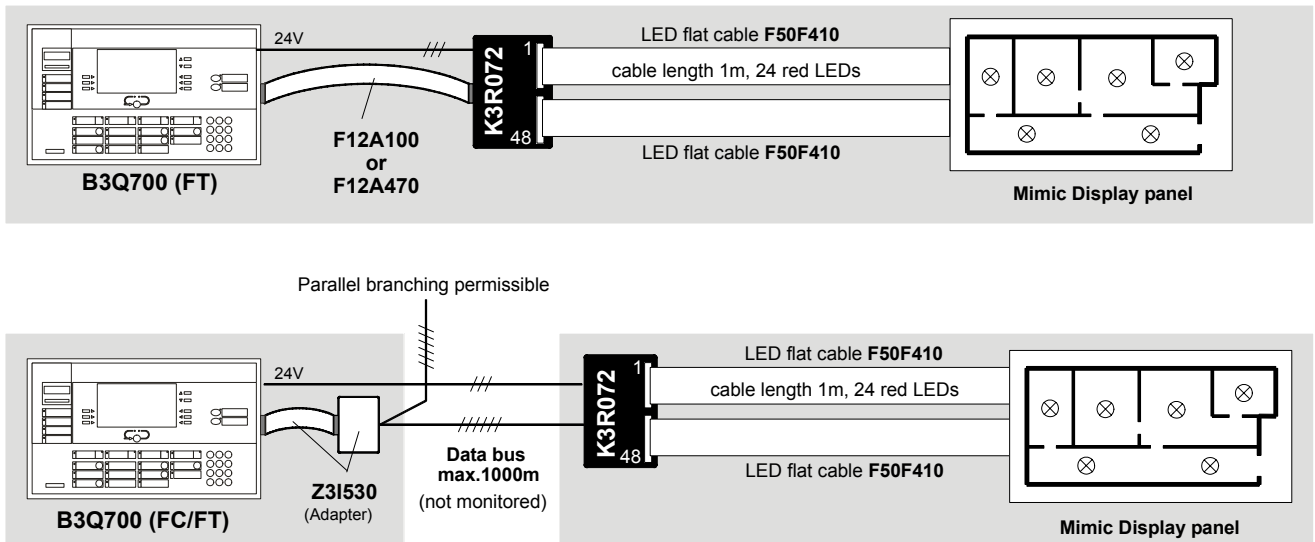
Component	Order-No.	Description	Notes
E3G070	546661	Control module 'Universal'	Included in FC700A-1 package
E3L020	546645	Control module 'Driver'	16 control inputs or outputs
E3G050	460255	Control module 'Contacts'	8 control output contacts
E3G060	542539	Control module 'Monitored'	6 monitored control lines for alarm equipment
K3I110	528812	LON-I/O card	16 programmable in-/outputs
Z3B171	484383	Relay module 1x 250VAC/10A	To switch from external voltage
E3I040	499310	LON module	Converter between I-Bus and LON-Bus
Z1B070	A5Q00001720	Mounting accessory for E3I040	Essential for mounting E3I040 in housing H28G200
Z3I1050	A5Q00004717	Connection cable 19 conductors	1 of each per E3L020/E3G050/60
Z1K030	484231	Terminal block with p.c.b. Chassis	For direct connection

17.6 CPU-overlapping controls



Limitation: see chapter 8

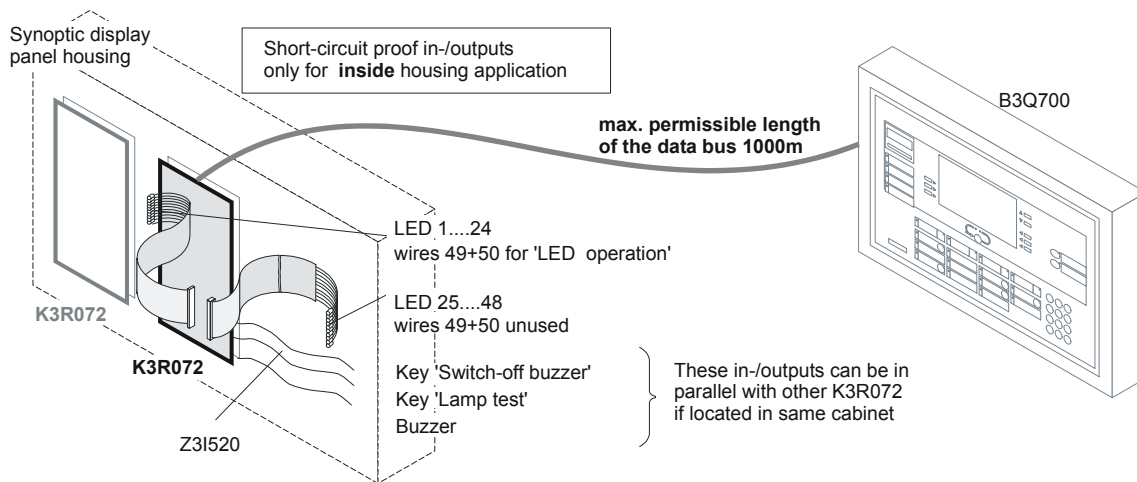
17.7 Mimic Display panel outputs



→ Details see document 007831

K3R072:

- Short circuit-protected outputs
- Output for local buzzer and LED operation
- Inputs for button 'buzzer switch-off' und 'lamp test'
- Only suitable for the activation of LEDs
- Outputs can only be allocated the statuses from **one** logical node
- Max. 24 devices however max. 8 addresses



17.8 Modules

Component	Order-No.	Description	Notes
K3R072	528605	Mimic Display activation	
Z3I520	484969	Cable set for K3R072	
F50F410	529141	LED flat cable for K3R072	Comprises 12 cables (2-wire with connector, length=0.5m) 50-wire, 24 red LEDs, cable length 1m
Z3I530	484972	Adapter	To adapt flat cable to terminals
F12A100	495275	Flat cable Micro 12-pin, 0.4m	From B3Q700 (FT) to K3R072/B3R051
F12A470	495288	Flat cable Micro 12-pin, 1.5m	From B3Q700 (FT) to K3R072/B3R051