

# General Specifications

Model VI702  
Vnet/IP Interface Card



GS 33J50C10-01EN

[Release 6]

## ■ GENERAL

By installing the control bus interface card into the PCI Express slot of the PC/AT compatible computer, the computer is connected to Vnet/IP.

## ■ FUNCTION

Interface between the PCI Express and Vnet/IP

## ■ STANDARD SPECIFICATIONS

### Communication Speed

1 Gbps Full Duplex

### Connection Specifications

Cable: CAT5e (Enhanced Category 5 cable), UTP  
Transmission: 1000BASE-T compliance  
Connector: RJ45 connector  
Max. distance: 100 m (Distance between VI702 and Layer 2 switch)

### PCI Express Specifications

Applicable revision:  
PCI Express CEM Specification 1.0a x1, 2.5 GT/s signaling  
This card can be installed in a PCI Express slot (x1 to x16).  
This card cannot be installed in a PCI slot.

### Voltage

Power supply voltage: 3.3 V ± 9 %

### Current Consumption

Max. 2.5 A

### Weight

Approx. 0.18 kg

## ■ PARTS NAME AND FUNCTIONS

### RDY lamp

Lights when it diagnoses the card as normal.

### RCV lamp

Lights when it detects signals on a control bus.

### SND lamp

Lights when it sends signals to a control bus.

### Ethernet connector

Connects a CAT5e (Enhanced Category 5 cable)

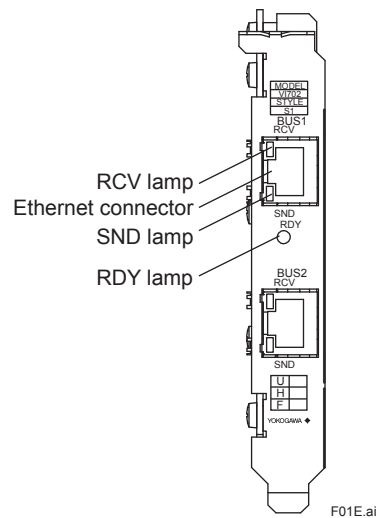
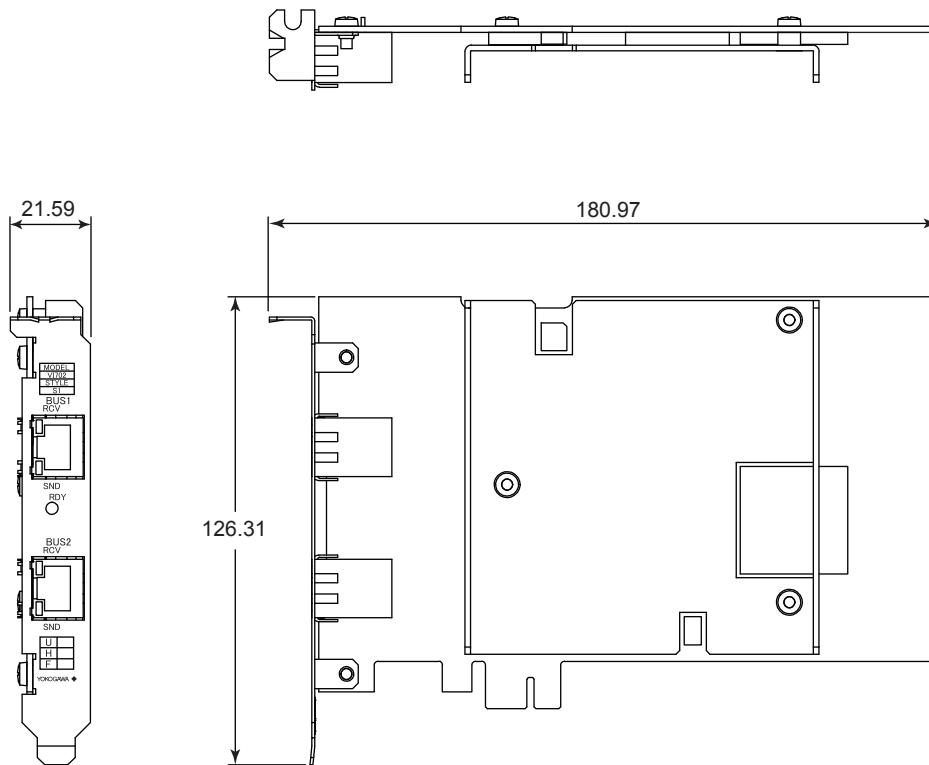


Figure Vnet/IP Interface Card (Front )

## EXTERNAL DIMENSIONS

Unit : mm



F02E.ai

### Nominal Tolerances :

When the reference dimension is over 0.5 mm and equal or less than 120 mm, its nominal tolerance is  $\pm 0.8$  mm, while its combination of nominal tolerance is  $\pm 1.5$  mm.

When the reference dimension is over 120 mm, its nominal tolerance is in accordance with JEM 1459.

## MODEL AND SUFFIX CODE

		Description
<b>Model</b>	VI702	Vnet/IP Interface Card

## APPLICABLE STANDARDS

Refer to the GS "Integrated Production Control System CENTUM VP System Overview" (GS 33J01A10-01EN).

## ORDERING INFORMATION

Specify model.

## TRADEMARKS

- CENTUM and Vnet/IP are registered trademark of Yokogawa Electric Corporation.
- Other company and product names appearing in this document are trademarks or registered trademarks of their respective holders.